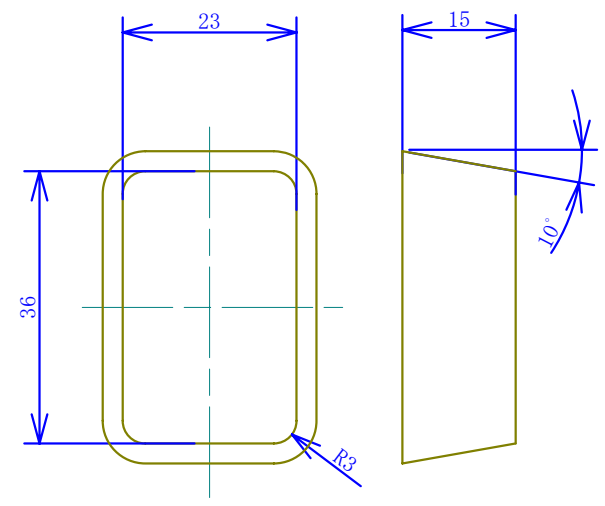
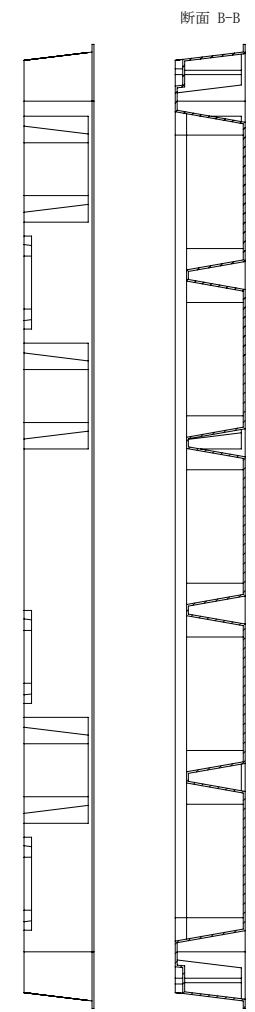
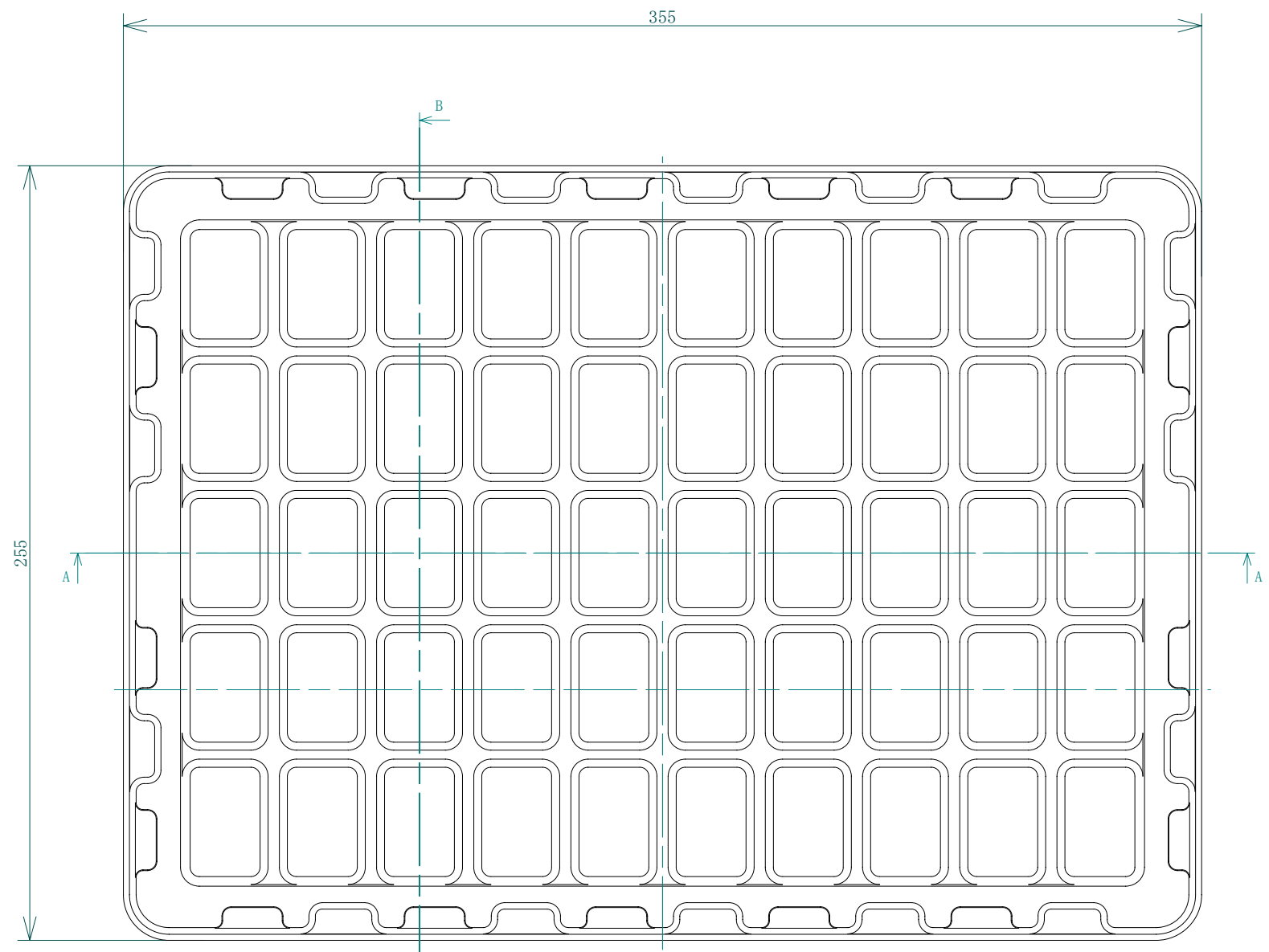
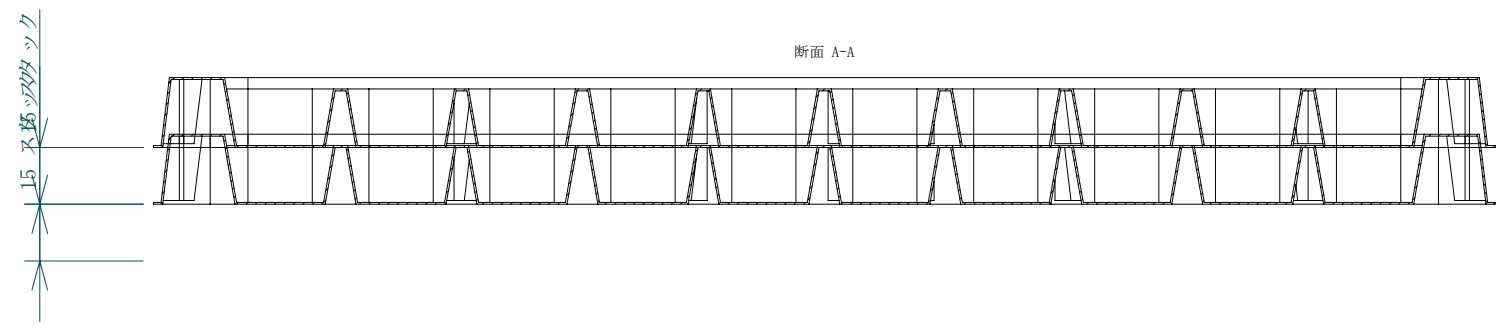
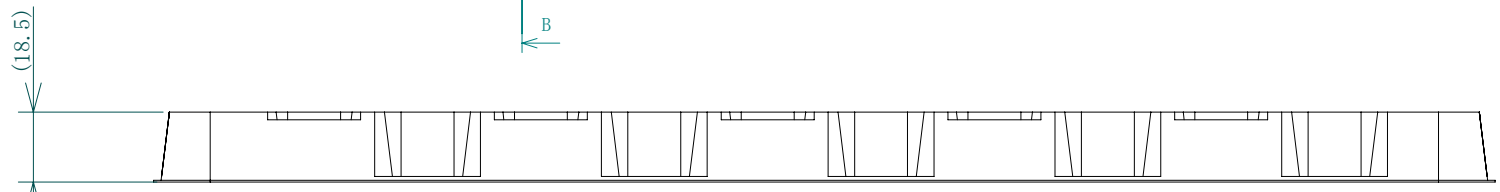


基準公差表	
L ≤ 10	±0.50
10 < L ≤ 60	±0.80
60 < L ≤ 100	±1.00
100 < L	±1.50
ANGULAR DIMENSION	±2°



ポケット寸法



TITLE e-TRAY		
FINISH	355×255	23×36 S 15 50P
DATE	2009/02/01	MATERIAL NAME APET t=0.5mm
SCALE	DESIGN BY	CHECKED BY
1:2		
	DRAWN BY	APPROVED BY
	suzuki	

TOKYOPACK CO., LTD.

部品番号