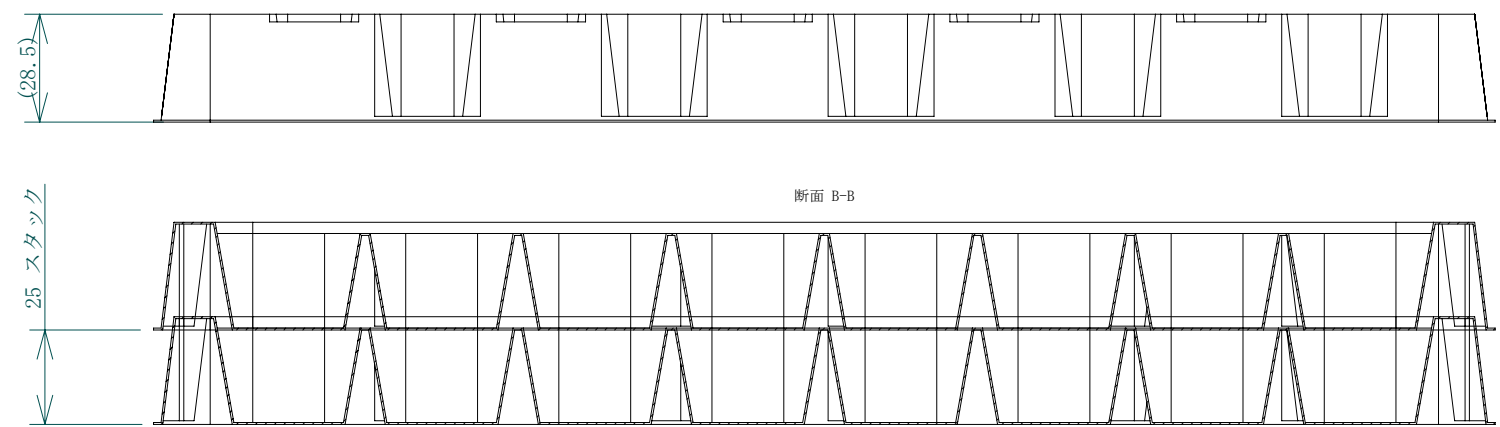
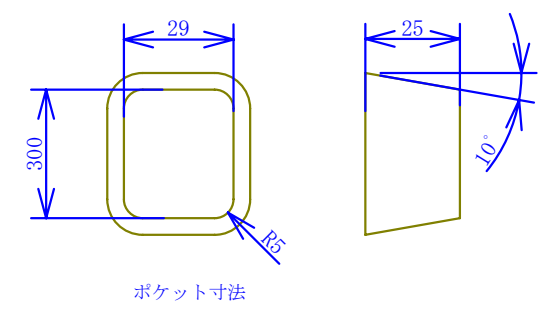
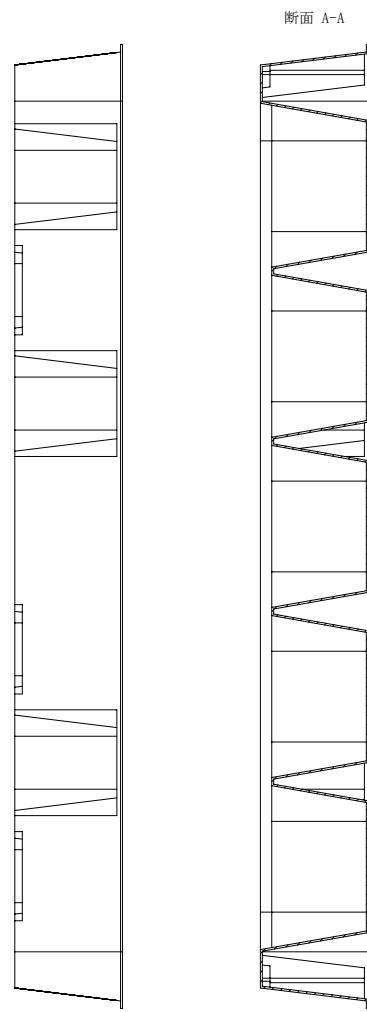
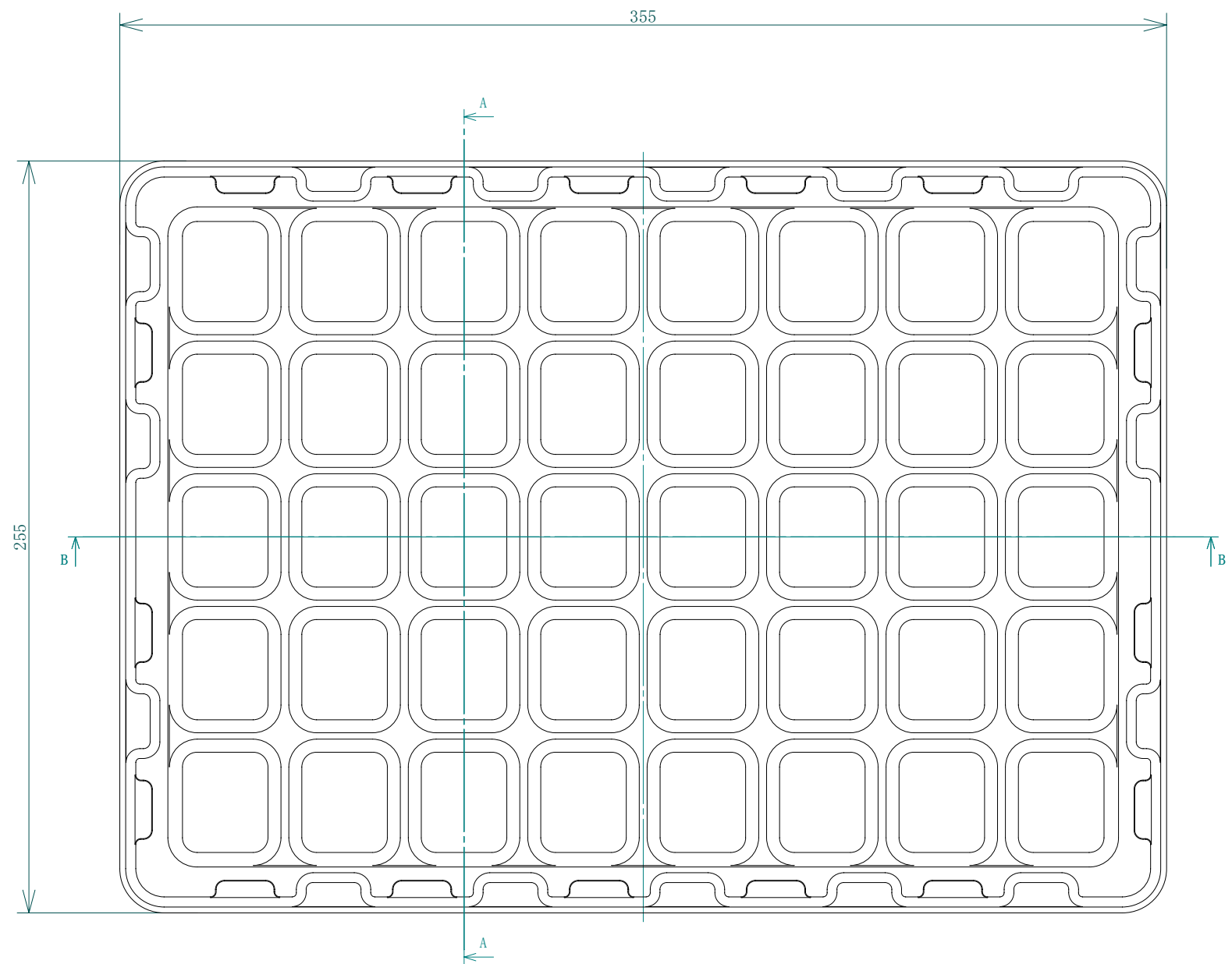


基準公差表	
L ≤ 10	±0.50
10 < L ≤ 60	±0.80
60 < L ≤ 100	±1.00
100 < L	±1.50
ANGULAR DIMENSION	±2°



TITLE		e-TRAY	
FINISH		355×255 29×34 S 25 40P	
DATE	MATERIAL NAME		
2009/02/01	APET t=0.5mm		
SCALE	DESIGN BY	CHECKED BY	
1:2			
	DRAWN BY	APPROVED BY	
	suzuki		
TOKYOPACK CO., LTD.			

部品番号