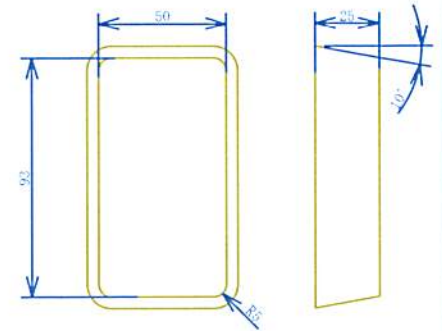
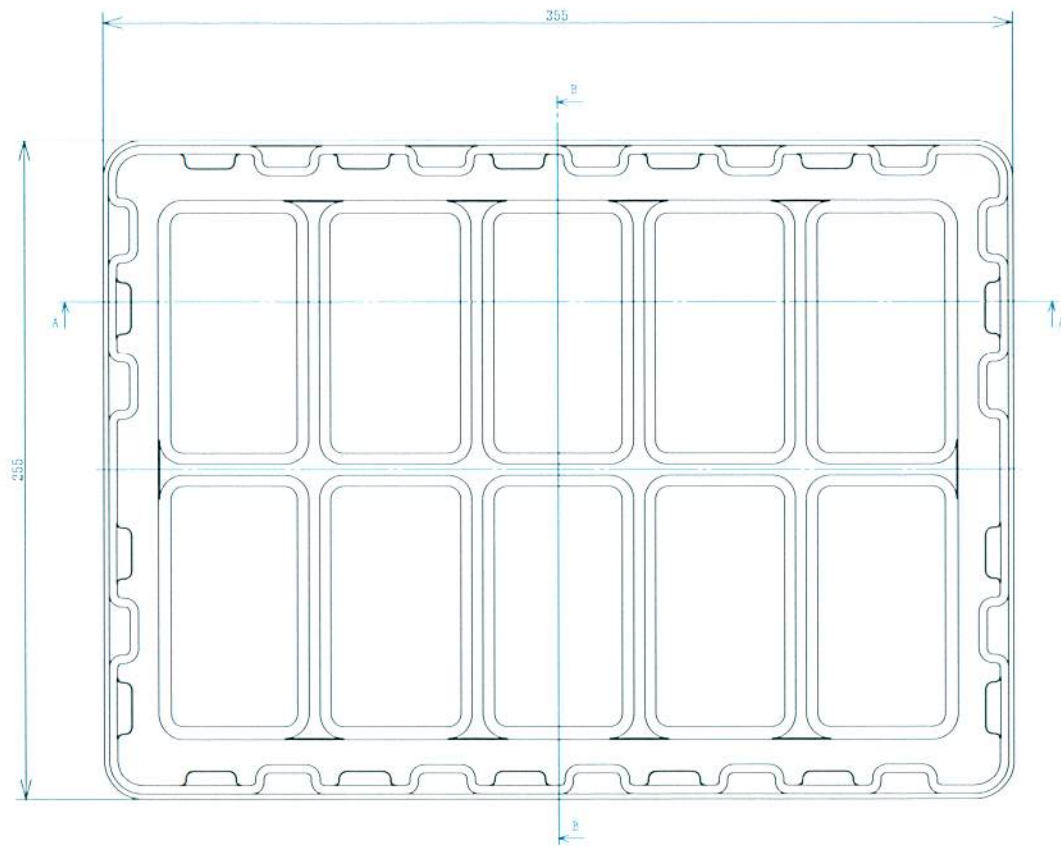
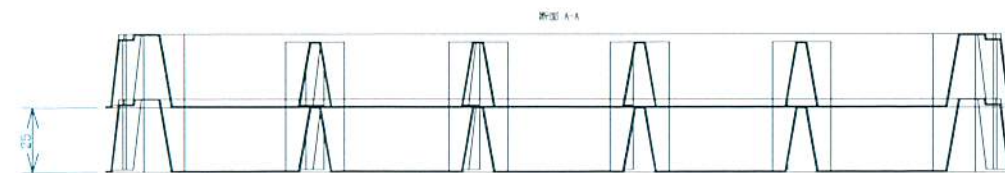
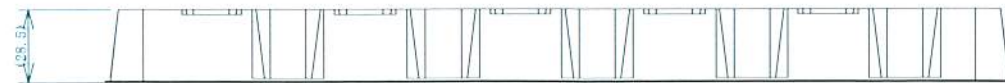


基準公差表	
L ≤ 10	± 0.50
10 < L ≤ 60	± 0.80
60 < L ≤ 100	± 1.00
100 < L	± 1.50
ANGULAR DIMENSION	± 2°



ポケット寸法



TITLE e-TRAY			
FINISH 355×255 50×93 S25 10P			
DATE 2009/02/01	MATERIAL NAME APET t=0.5mm		
SCALE 1:2	DESIGN BY	CHECKED BY	
	DESIGN BY suzuki	APPROVED BY	

TOKYOPACK CO., LTD.

部品番号