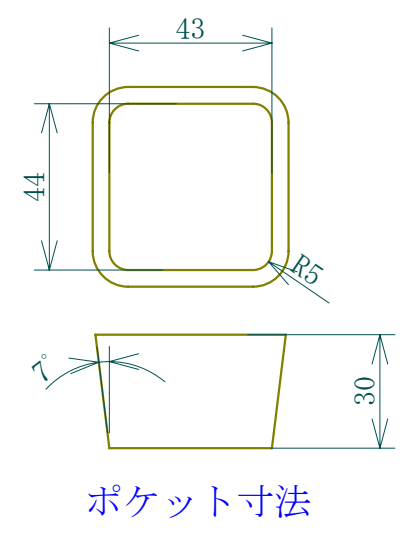
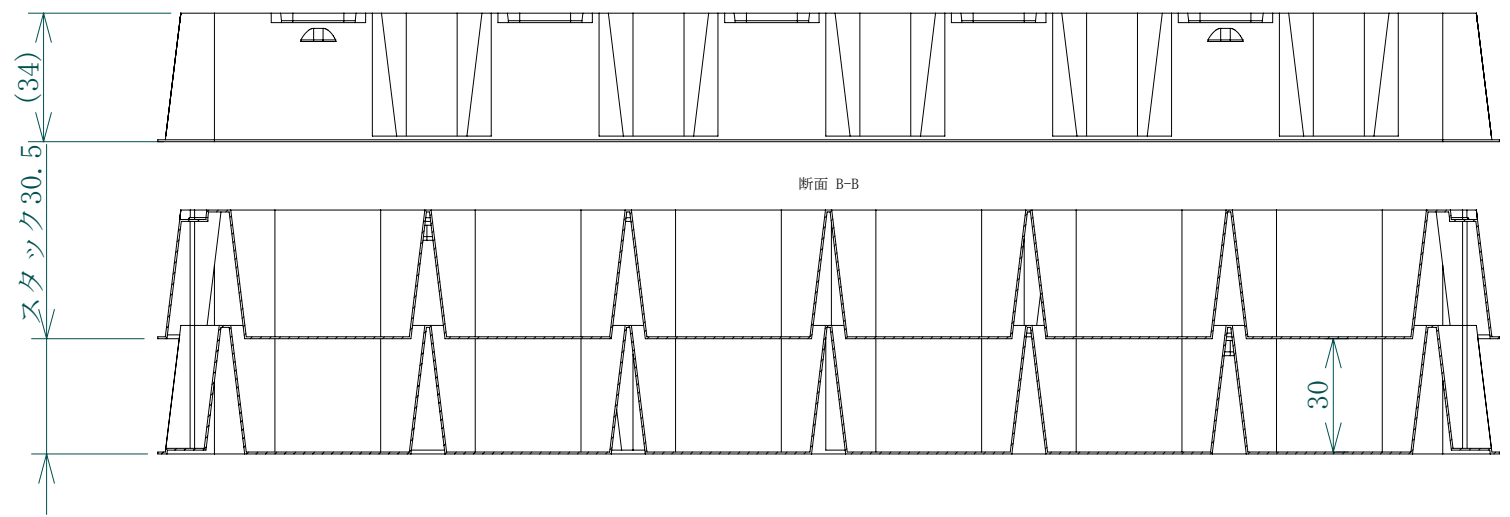
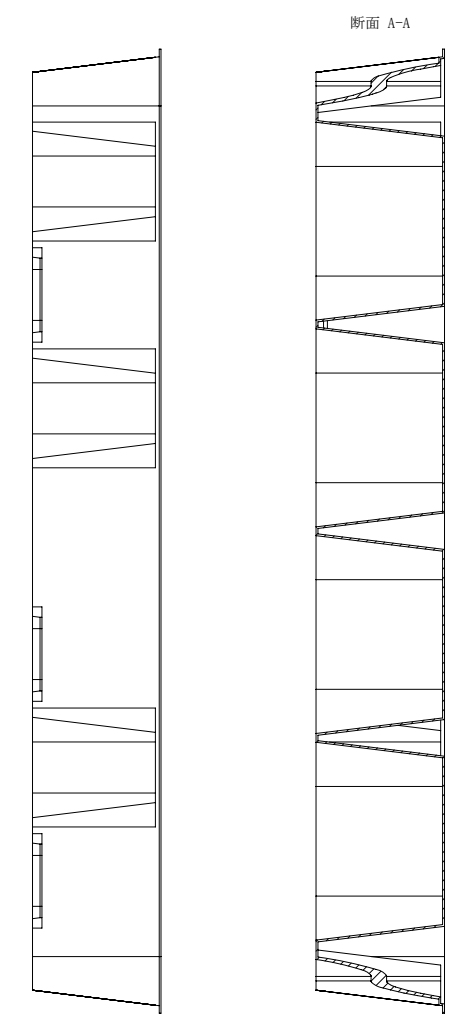
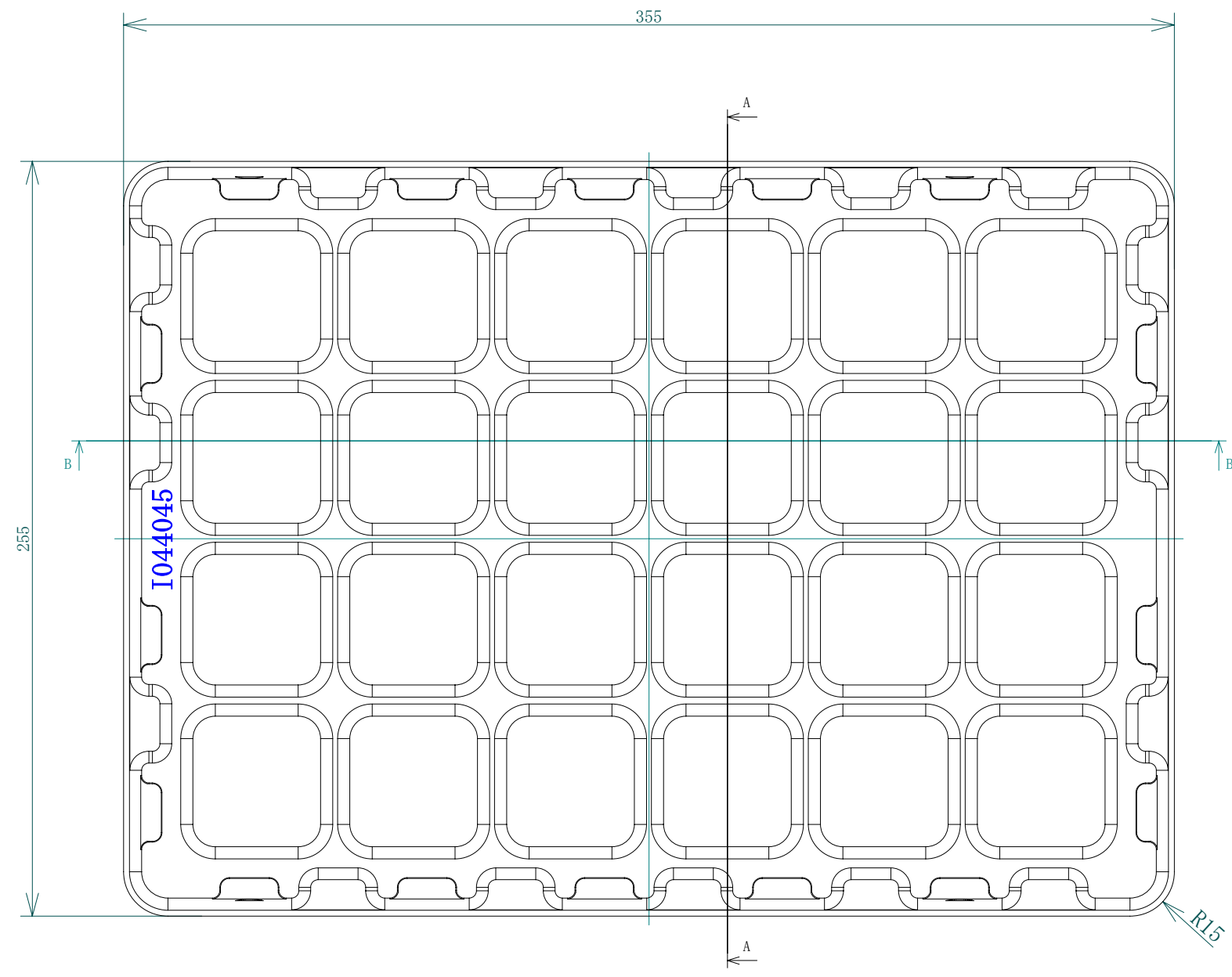


| 基準公差表             |       |
|-------------------|-------|
| L ≤ 10            | ±0.50 |
| 10 < L ≤ 60       | ±0.80 |
| 60 < L ≤ 100      | ±1.00 |
| 100 < L           | ±1.50 |
| ANGULAR DIMENSION | ±2°   |



スタック 30.5 (34)

|                                     |                          |             |
|-------------------------------------|--------------------------|-------------|
| TITLE <b>I 044045</b>               |                          |             |
| FINISH <b>355×255 43×44 S30 24P</b> |                          |             |
| DATE<br>2024/07/10                  | MATERIAL NAME<br>t=0.5mm |             |
| SCALE<br>1:2                        | DESIGN BY                | CHECKED BY  |
|                                     | DRAWN BY<br>suzuki       | APPROVED BY |

TOKYOPACK CO., LTD.

部品番号