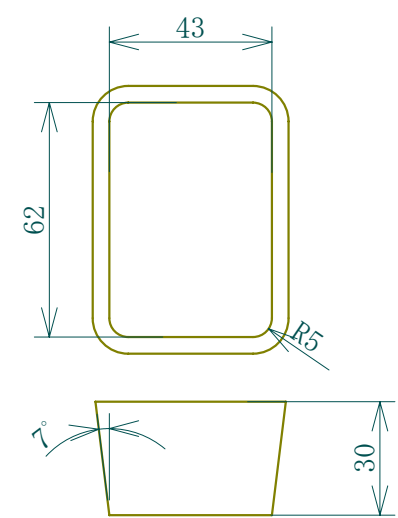
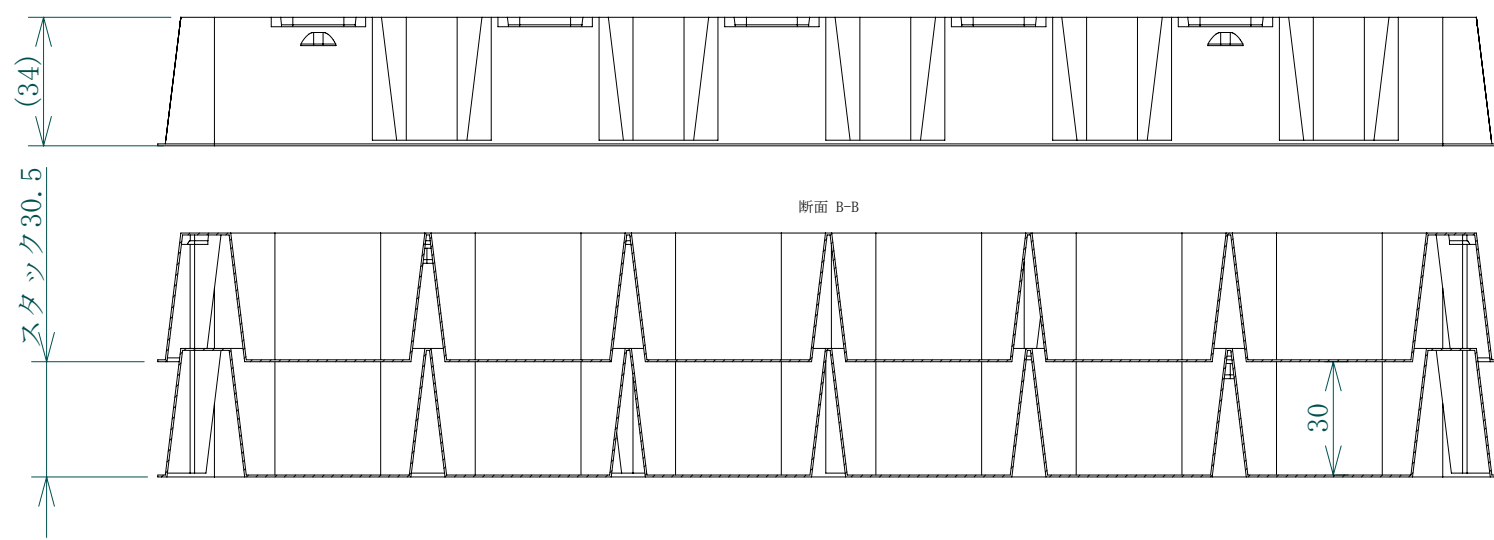
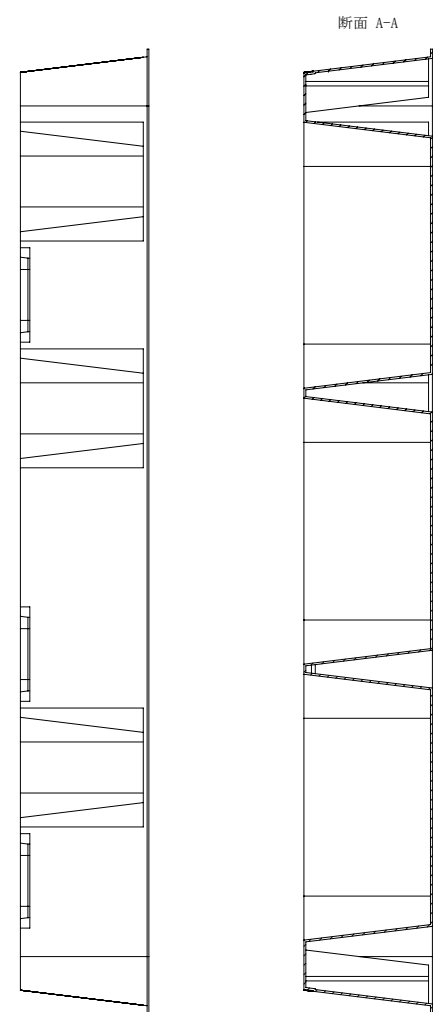
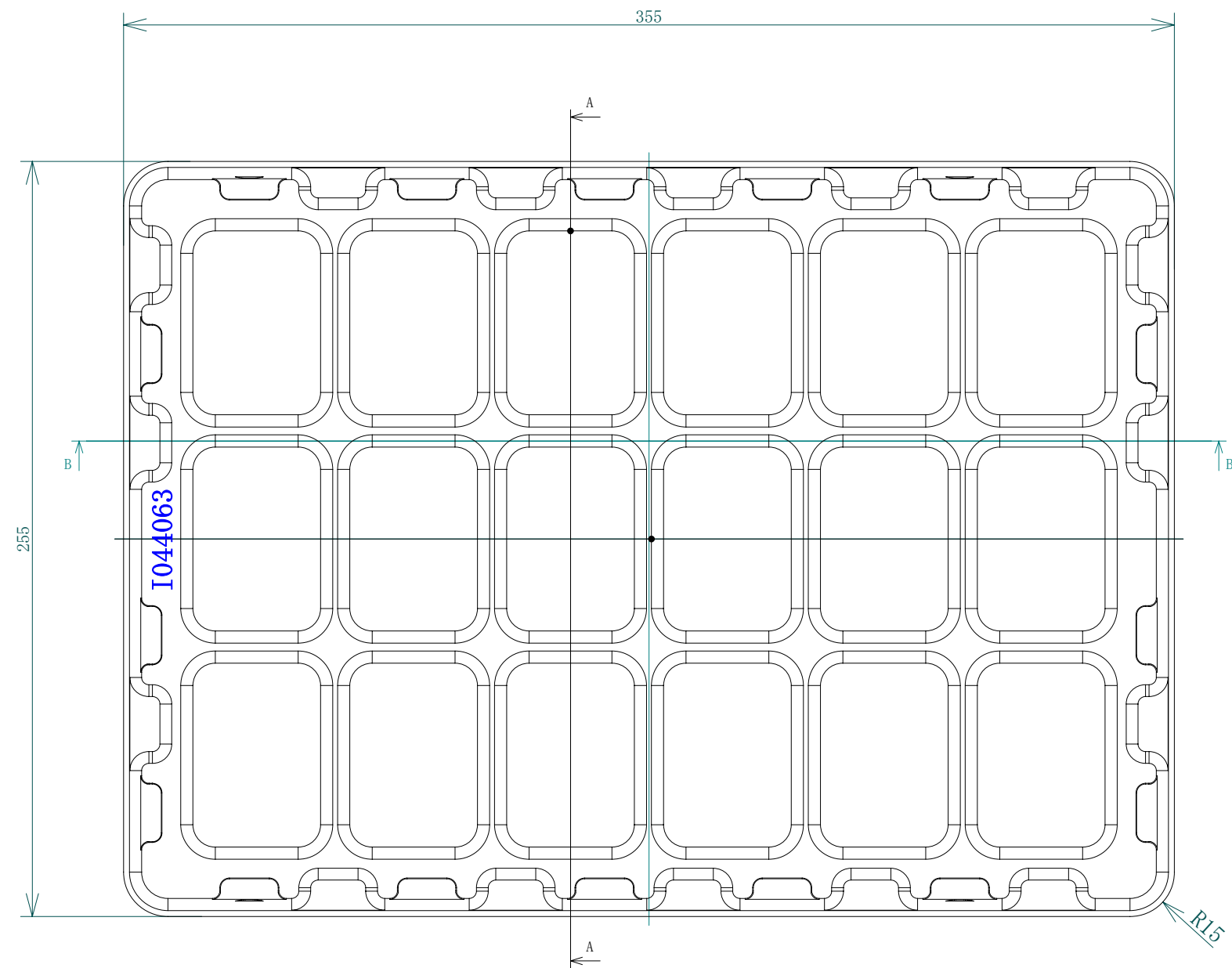


基準公差表	
L ≤ 10	±0.50
10 < L ≤ 60	±0.80
60 < L ≤ 100	±1.00
100 < L	±1.50
ANGULAR DIMENSION	±2°



ポケット寸法

TITLE I 044063		
FINISH	355×255 43×62 S30 18P	
DATE	2024/07/10	MATERIAL NAME t=0.5mm
SCALE	1:2	DESIGN BY
		CHECKED BY
	DRAWN BY	APPROVED BY
	suzuki	

TOKYOPACK CO., LTD.

部品番号