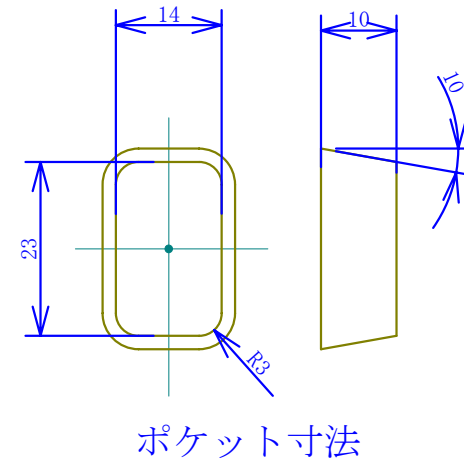
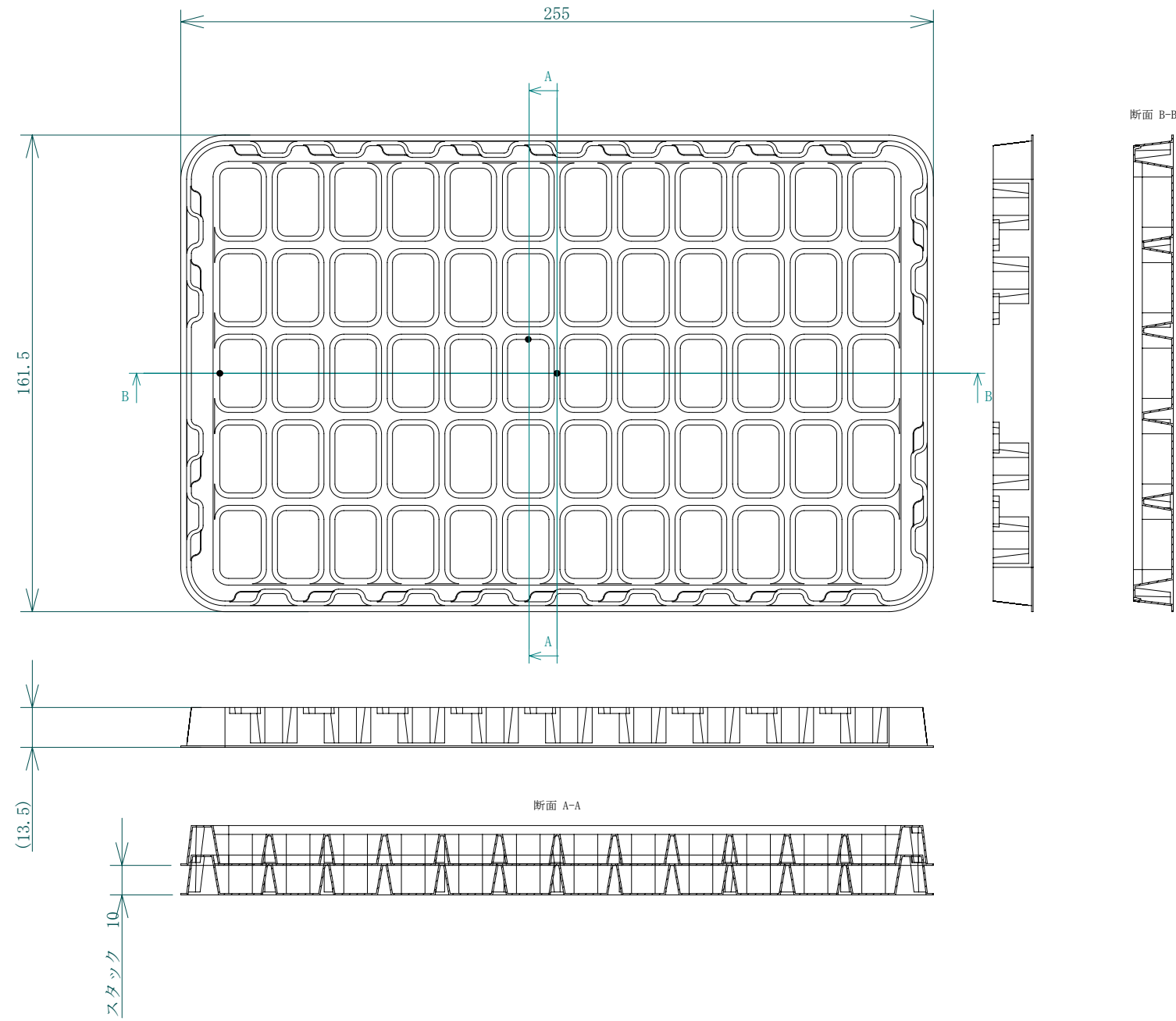


基準公差表	
L ≤ 10	±0.50
10 < L ≤ 60	±0.80
60 < L ≤ 100	±1.00
100 < L	±1.50
ANGULAR DIMENSION	±2°



TITLE			e-TRAY		
FINISH			255×161.5 14×23 S10 60P		
DATE		MATERIAL NAME			
2009/02/01		APETt=0.5mm			
SCALE	DESIGN BY	CHECKED BY			
1:2					
DRAWN BY		APPROVED BY			
suzuki					
TOKYOPACK CO., LTD.					

部品番号