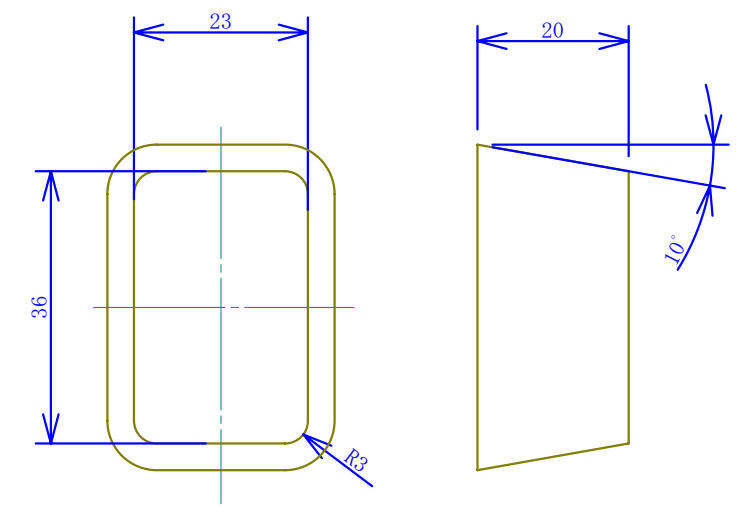
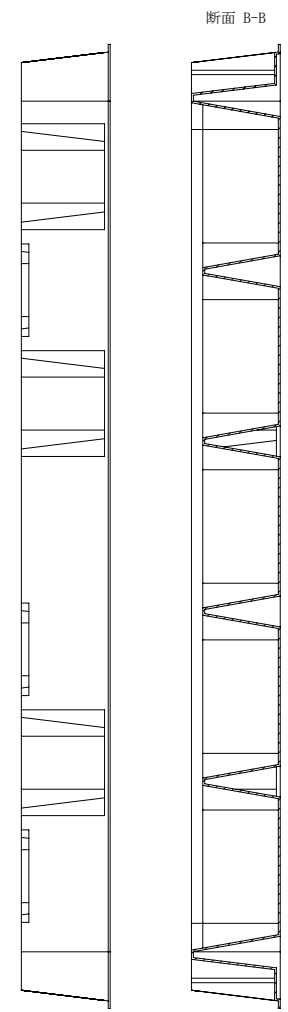
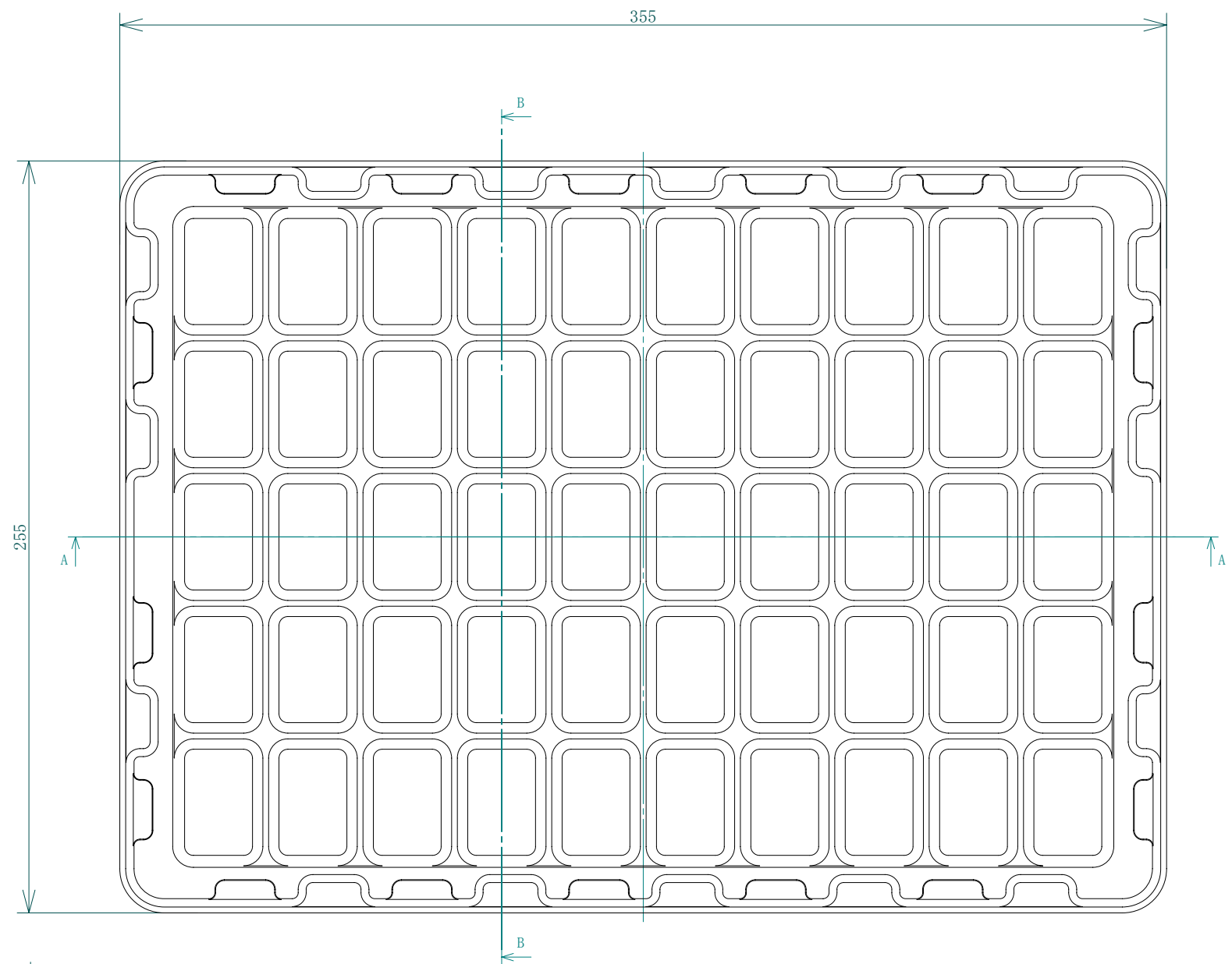
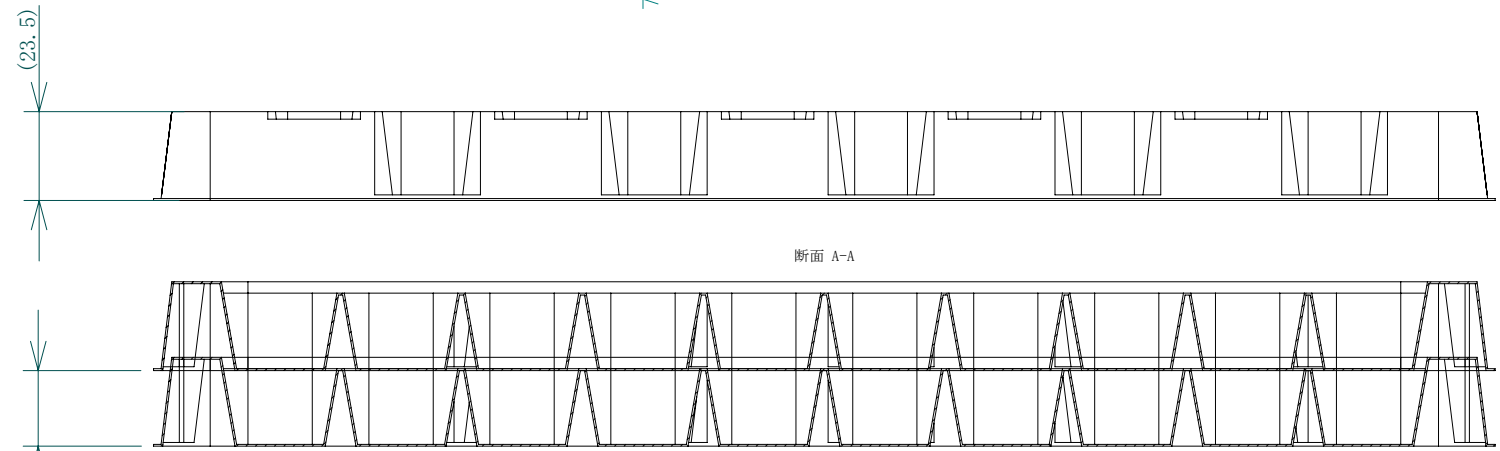


| 基準公差表 | |
|-------------------|-------|
| L ≤ 10 | ±0.50 |
| 10 < L ≤ 60 | ±0.80 |
| 60 < L ≤ 100 | ±1.00 |
| 100 < L | ±1.50 |
| ANGULAR DIMENSION | ±2° |



ポケット寸法



20 スタック

| | | |
|--------------------------------------|-----------------------------------|-------------|
| TITLE e-TRAY | | |
| FINISH 355×255 23×36 S 20 50P | | |
| DATE 2009/02/01 | MATERIAL NAME APET t=0.5mm | |
| SCALE 1:2 | DESIGN BY | CHECKED BY |
| | DRAWN BY suzuki | APPROVED BY |

TOKYOPACK CO., LTD.

部品番号